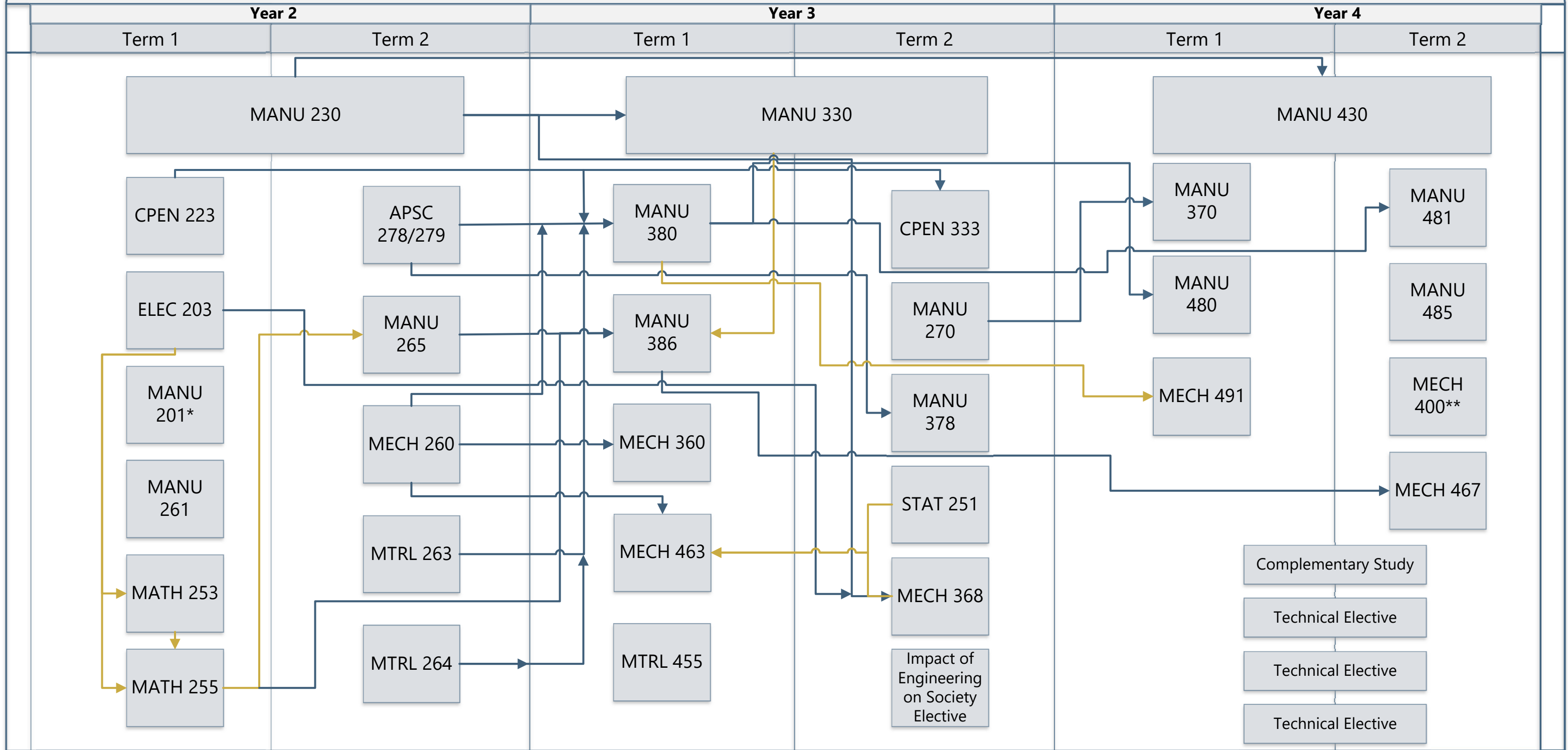


UBC Manufacturing Engineering Course Path



→ Corequisites

→ Prerequisites

Notes:

- Some first year prerequisites may not be listed if there is a discrepancy between this figure and the calendar, refer to the calendar
- MANU 201 must be completed by the start of 4th year
- ** MECH 400 prerequisite is 4th year standing in B.A.Sc.